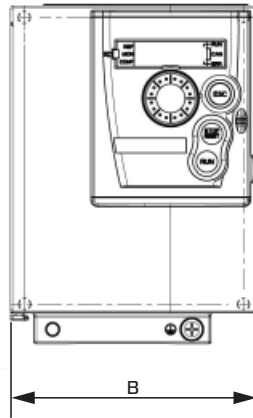
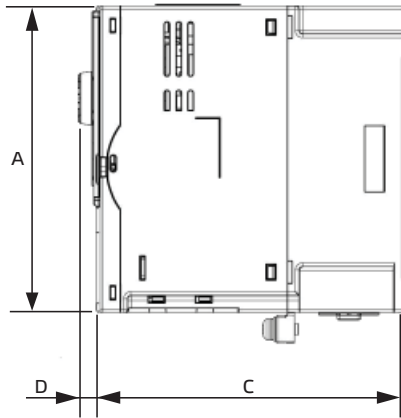


DATA SHEET

Frequency Converter FU IP 21

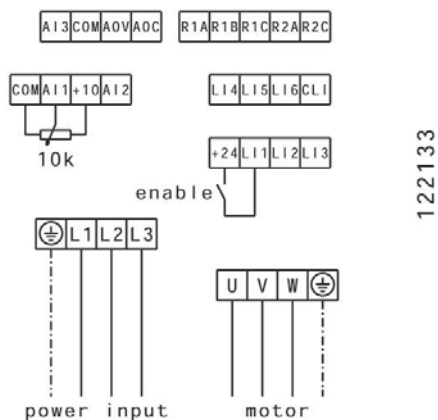


Type	ID	A mm	B mm	C mm	D mm	E mm	F mm	Weight kg
FU 22 05	124682	184	142	152	6	157	126	2,3
FU 30 03	121609	184	142	152	6	157	126	2,6
FU 40 03	121607	184	142	152	6	157	126	2,5
FU 55 03	123249	232	180	172	6	210	160	4,7

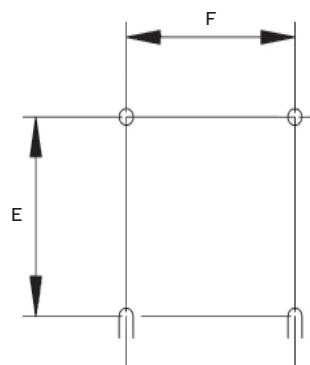
Type	ID	P ₂ W	I _A A	P _V W	Wiring diagrams	For models:
FU 22 05	124682	2200	5,5	79	122133	EL 400 D2 01 119677 EL 560 D4 01 119347 DVN 560 D4 121774 DVNI 560 D4 122294 DVN 710 D6 122470 DVNI 710 D6 122473 MPC 560 D4N 122302 MPC 560 D4N TW 122301 MPS 400 D4 122558
FU 30 03	121609	3000	7,1	125	122133	EL 630 D4 01 117891
FU 40 03	121607	4000	9,5	150	122133	EL 710 D4 01 119356 DVN 630 D4 122758 DVNI 630 D4 122762 MPC 630 D4N 123147 MPC 630 D4N TW 123131
FU 55 03	123249	5000	14,3	232	122133	-

- Frequency Converter
- Power supply 400 V 3~ 50 Hz
- Variable speed control
- Output voltage 0 - 400 V 3~
- Integrated modbus interface
- Motor-/converter protection
- Integrated interference filter/class A
- Easy start-up
- For switch cabinet
- Temperature range -10 °C ... +50 °C
- Protection Class IP 21

Wiring diagram :



Mounting :



Legend

- P₂ = Max. motor power
- P_V = Efficiency loss FU
- I_A = Output current FU