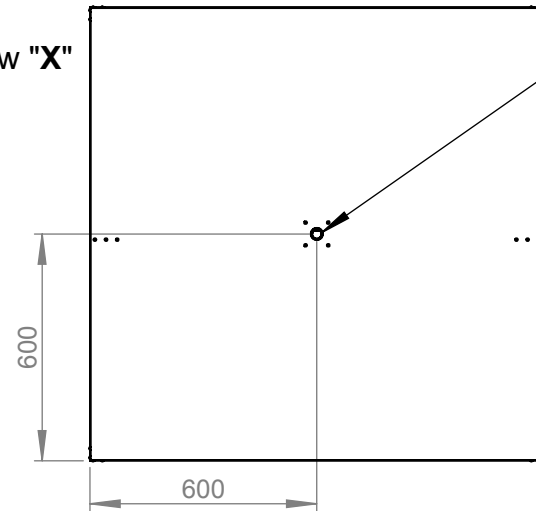


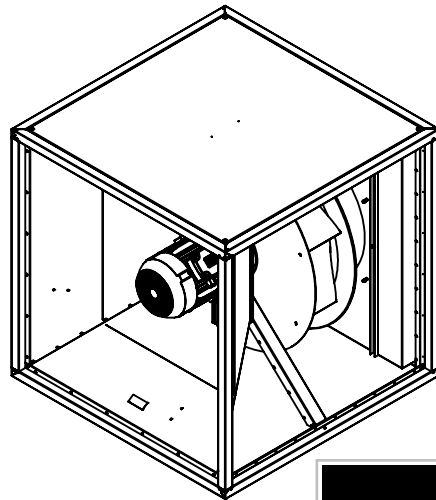
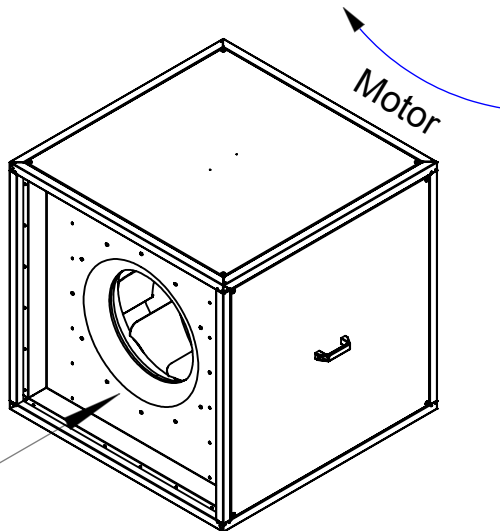
Anschlussmaß innen min. ϕ 670
 Connection size inside min. ϕ 670

X

View "X"



Kondensatablauf
 G3/4" Innengewinde
 Drain
 G3/4" female thread



ruck^{eu}
 VENTILATOREN
 ruck Ventilatoren
 Max-Planck-Str. 5
 D-97944 Boxberg



Protection Mark
 according to ISO16016
 Created s.pop
 Drawn s.pop
 Released s.pop
 Disabled

1:20 A4 mm

General tolerances
 DIN ISO 2768-c

MPC800D6T40

150960 01