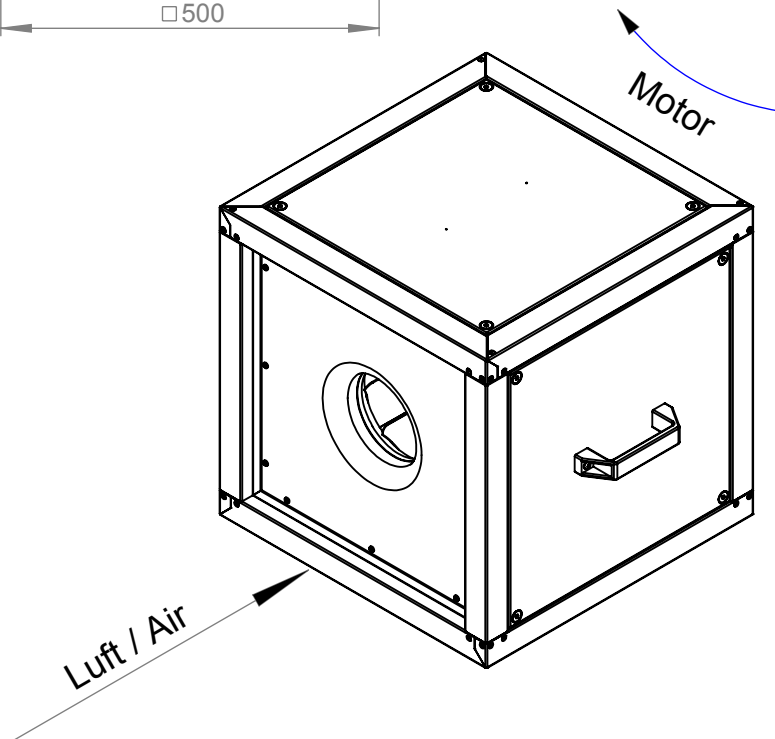


Anschlussmaß innen  
min.  $\varnothing$  195  
Connection size inside  
min.  $\varnothing$  195



Protection Mark  
according to ISO16016

Created s.pop  
Drawn s.pop  
Released d.hancu  
Disabled

1:10 A4 mm

General tolerances  
DIN ISO 2768-c

**MPC225ECT30**

**143077 00**

ruck Ventilatoren  
Max-Planck-Str. 5  
D-97944 Boxberg