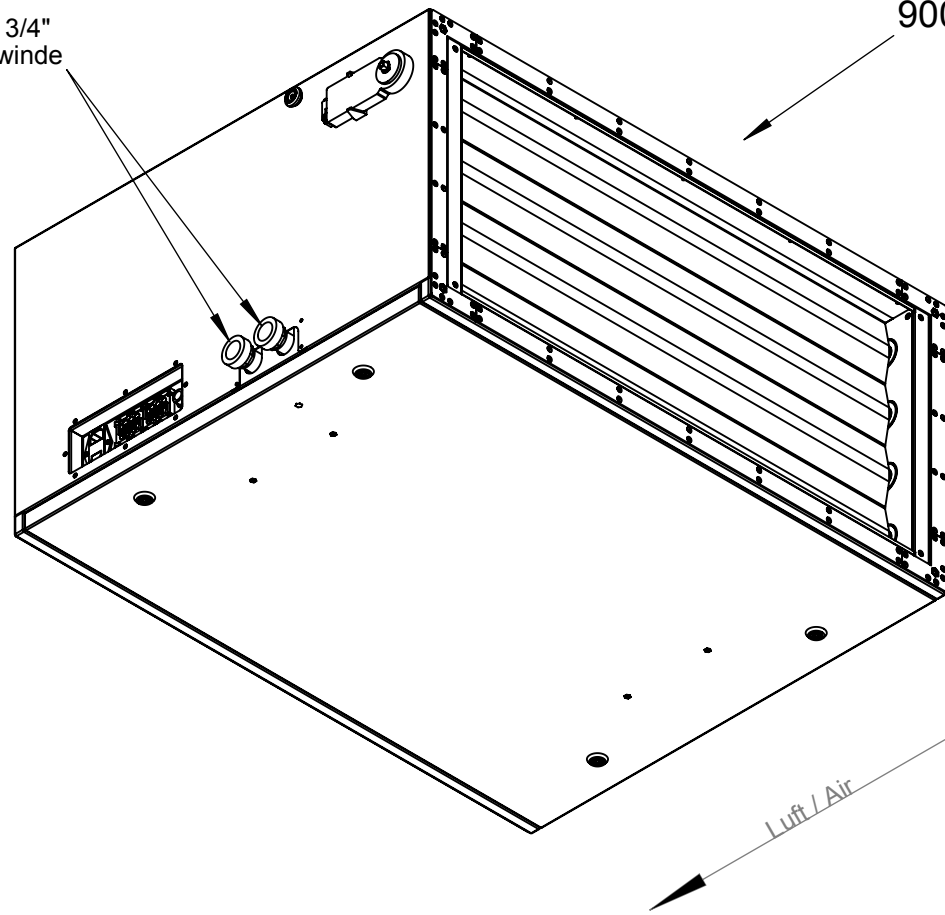


Anschluss 3/4"
Aussengewinde

Kanal/Duct
900x400



ruck Ventilatoren
Max-Planck-Str. 5
D-97944 Boxberg



1:20 A4 mm

Protection Mark
according to ISO16016

General tolerances
DIN ISO 2768-c

SL09040E2J1010

Drawn: d.hancu
Created: d.hancu
Changed: d.hancu

26.01.16
26.01.16
26.01.16

136150 00