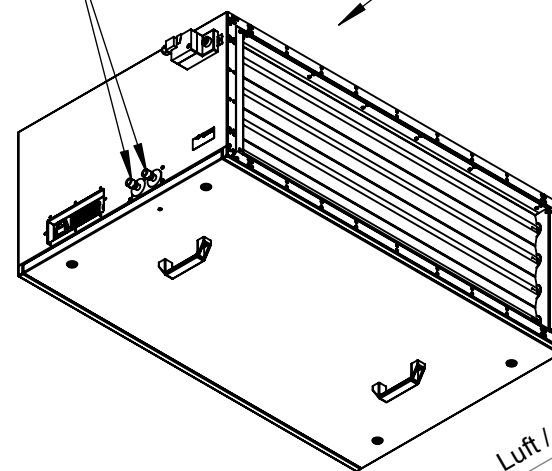


Anschluss 1"
Aussengewinde

Kanal / Duct
1200x400



Luft / Air



1:20 A4 mm

ruck^{EU}
VENTILATOREN

Protection Mark
according to ISO16016

General tolerances
DIN ISO 2768-c

SL12040E2J1010+

ruck Ventilatoren
Max-Planck-Str. 5
D-97944 Boxberg

Drawn: p.guti
Created: p.guti
Changed:

18.02.16
13.01.16

135969 00