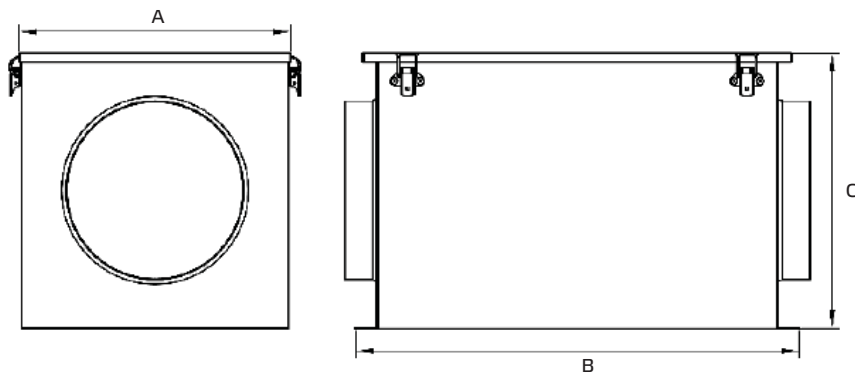


Filter Box FT



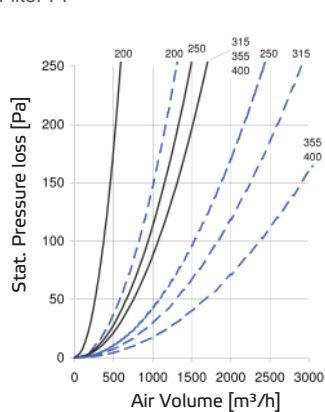
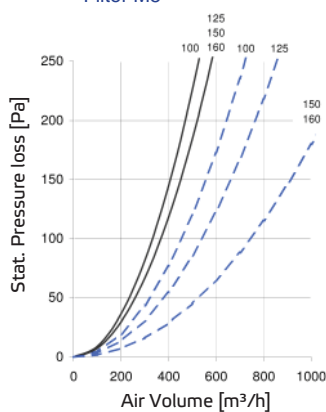
Type	ID	Nominal width mm	Filter Size	A mm	B mm	C mm	Weight kg
FT 100	112844	100	1	306	498	308	5,5
FT 125	112843	125	1	306	498	308	5,6
FT 150	112842	150	1	306	498	308	5,8
FT 160	112841	160	1	306	498	308	5,6
FT 200	112840	200	1	306	498	308	5,5
FT 250	112845	250	1	306	498	308	5,3
FT 315	112846	315	2	506	498	508	11,6
FT 355	112847	355	2	506	498	508	10,0
FT 400	112848	400	2	506	498	508	9,7

- Filter Box for Bag Filter
- Galvanized sheet steel housing
- Toggle-type fastener
- Without filter

Pressure loss test with filter M5 and F7

----- Filter M5

————— Filter F7



Recommended maximum pressure loss according to filter manufacturer: 250 Pa



Bag Filter
Max. ambient temp 80 °C
1 pc

Replacement Filter		
Size	ID	Filtration class
1	102939	M5
1	102945	F7
2	102941	M5
2	102947	F7